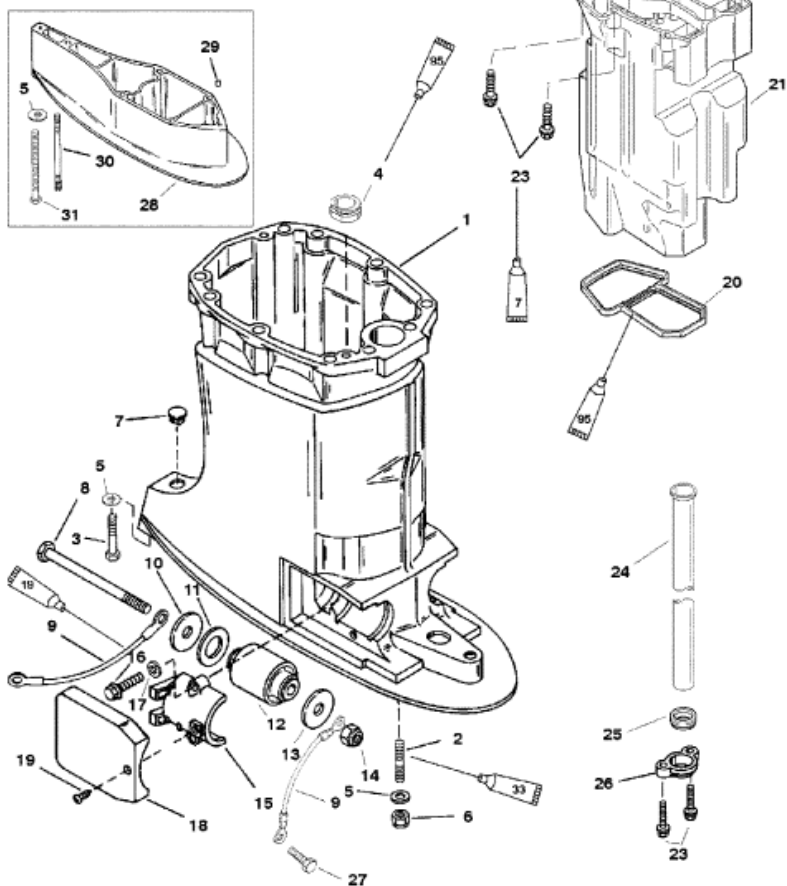


- 7 Loctite "271" Adhesive Sealant (92-809819)
- 16 Perfect Seal (92-34227-1)
- 33 Loctite "RC/680" Retaining Compound (92-809833)
- 95 2-4-C w/Teflon (92-850736A1)



12457

Parts List

Ref	Class	Part	Description	Qty	Comment	Footnote
1	3518	832937A	1 DRIVESHAFT HOUSING	1	(LONG-BLACK)	
1	3519	832938A	1 DRIVESHAFT HOUSING	1	(X-LONG-BLACK)	
1	3518	832937A	2 DRIVESHAFT HOUSING	1	(LONG-GRAY)	
1	3519	832938A	2 DRIVESHAFT HOUSING	1	(X-LONG-GRAY)	
2	16	822257	4 STUD (M12 X 1.75 X 50)	4		
3	10	821301	30 SCREW, (M10 x 30)	1		
4	25	833123	1 GROMMET	1		
5	12	40023	21 WASHER	4		
6	11	821280	4 NUT (M12 X 1.75)	4		
7	19	64649	1 PLUG	1		
8	10	815431	1 SCREW, (M14 x 178)	2		
9		88238A	10 GROUND WIRE ASSEMBLY	2		
10	12	815432	2 WASHER	2		
11	12	815433	2 WASHER	2		
12		813771	1 MOUNT	2		
13	12	825190	1 WASHER	1		
14	11	815434	2 NUT	2		
15		818644	2 CLAMP	2		
16	10	818934	35 SCREW, (M8 x 35)	4		
17	13	72521	1 LOCKWASHER, Internal Tooth	1		
18		818645F	1 COVER	2	(BLACK)	
18		818645F	2 COVER	2	(GRAY)	
19	10	69079	2 SCREW, (#10-16 x .440)	2		
20		832932	1 SEAL	1		
21		833116A	4 EXHAUST TUBE	1		
22		NSS	1 NOT SOLD SEPARATE, Strainer	1		
23	10	818934	35 SCREW, (M8 x 35)	6		
24	32	832941	1 WATER TUBE	1	(LONG)	
24	32	832941	2 WATER TUBE	1	(X-LONG)	
24	32	832941	3 WATER TUBE	1	(XX-LONG)	
25		832940	1 SEAL	1		
26		832939	1 CLAMP	1		
27	10	41508	1 SCREW, (.250-20 x .500)	1		
28		823979T	1 SPACER	1	(BLACK-XX-LONG)	
28		823979F	2 SPACER	1	(GRAY-XX-LONG)	
29	17	43044	2 PIN, Dowel (.375 x .625) (without l	2	(XX-LONG)	
30	16	824117	4 STUD	4	(M12 X 1.75 X 183)(XX-LONG)	
30	16	824118	1 STUD	1	(M10 X 1.5 X 173)(XX-LONG)	
31	11	40063	6 NUT (M10 X 1.5)	1	(XX-LONG)	